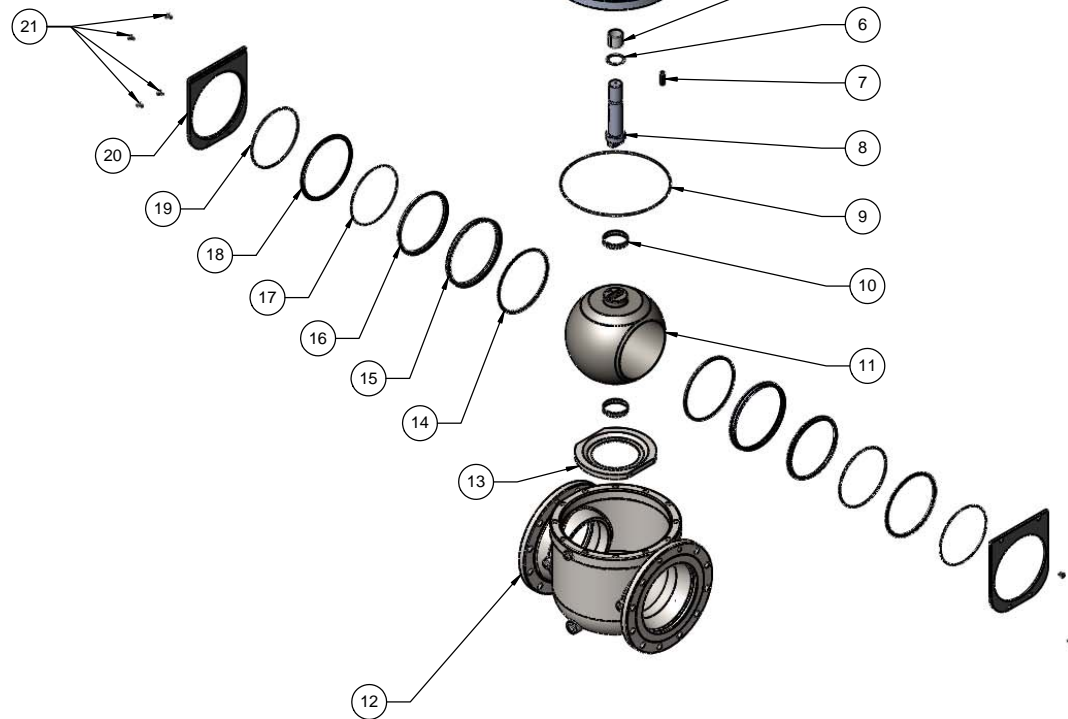
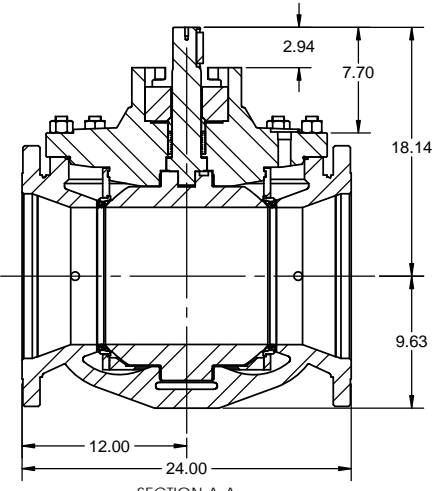
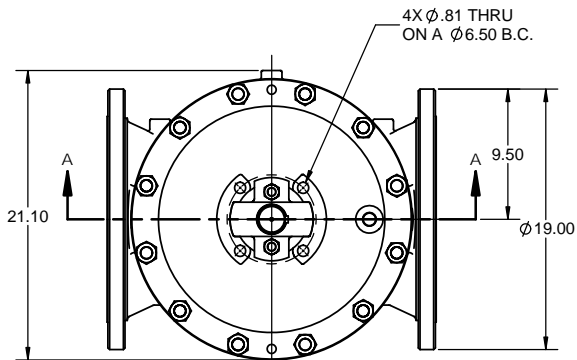


ITEM NO.	DESCRIPTION	MATERIAL	QTY.
1	GLAND PLATE	CS/ENP	1
2	FOLLOWER	ASTM A352 GR. LCC	1
3	PACKING	DIE FORMED GRAPHOIL V-RINGS	1
4	BONNET	ASTM A216 GR. WCC	1
5	STEM BEARING	GF/TFEC2	1
6	WASHER	TEADIT NA-1122	1
7	KEY	AISI 1018	1
8	STEM	17-4 PH ASTM A564 TYPE 630 H1150D	1
9	O-RING	VITON	1
10	BEARING	#60TH12-316SS	2
11	BALL	CS/ENP	1
12	BODY	ASTM A216 GR. WCC	1
13	BOTTOM RETAINER	ASTM A36	1
14	SEAT INSERT	PLASTIC GF/TFE	2
15	SEAT EXTERNAL	CS/ENP AISI 1018	2
16	SEAT INTERNAL	CS/ENP AISI 1018	2
17	O-RING	VITON	2
18	SEAT REAR	AISI 1018	2
19	O-RING	VITON	2
20	SEAT RETAINER	CS/ENP ASTM A36	2
21	CAP SCREW	316 SS	8
22	STUD	ASTM A193 GR B7	2
23	NUTS	ASTM A194 GR 2H	2
24	STUD	ASTM A193 GR B7	12
25	NUTS	ASTM A194 GR 2H	12

REV#	ECN#	DRW	DATE	CHK	DATE	ENG	DATE	
A		2022	C.LEE	05/18/15	GM	05/18/15	MB	05/18/15



CONFIDENTIAL		UNLESS OTHERWISE SPECIFIED:		NAME	DATE	HCV		
THE INFORMATION CONTAINED IN THIS DRAWING IS THE SOLE PROPERTY OF CHROMATIC INDUSTRIES, INC. ANY REPRODUCTION IN PART OR AS A WHOLE WITHOUT THE WRITTEN PERMISSION OF CHROMATIC INDUSTRIES, INC. IS PROHIBITED.		DIMENSIONS ARE IN INCHES		DRAWN	C.LEE	05/18/15	TITLE: 12 X 10-150 ASSEMBLY	
		TOLERANCES:		CHECKED	G.M.	05/18/15		
		FRACTIONAL ± 1/16 ANGULAR: MACH ± 5 BEND ± 5 TWO PLACE DECIMAL ± 01 THREE PLACE DECIMAL ± .005 CONCENTRICITY ± .003 TIR		ENG APPR	M.B.	05/18/15		
		FINISH: 125 RMS		DO NOT SCALE DRAWING		THIRD ANGLE PROJECTION		
INTERPRET GEOMETRIC TOLERANCING PER: ANSI Y14.5						SIZE	DWG. NO.	REV
				C		A02101042		A
						SCALE: 1:15 [WT: 1098.3 LBS]		SHEET 1 OF 1