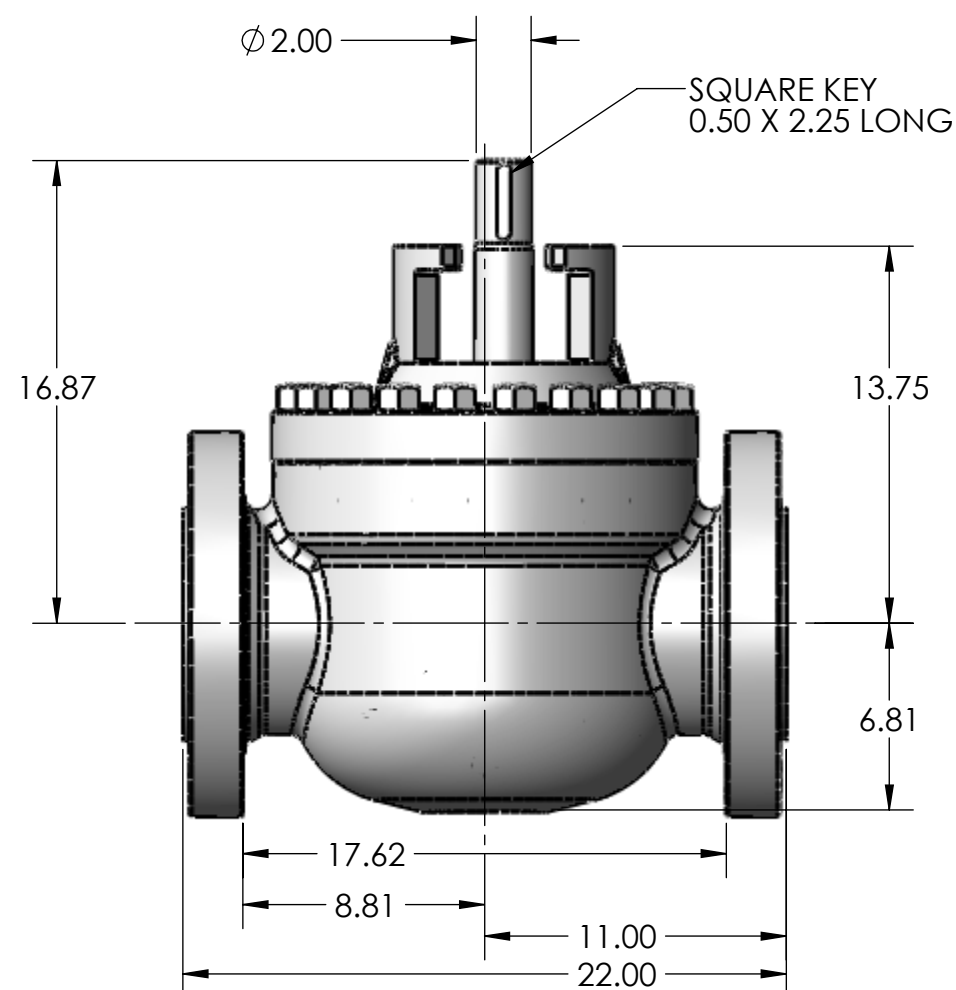
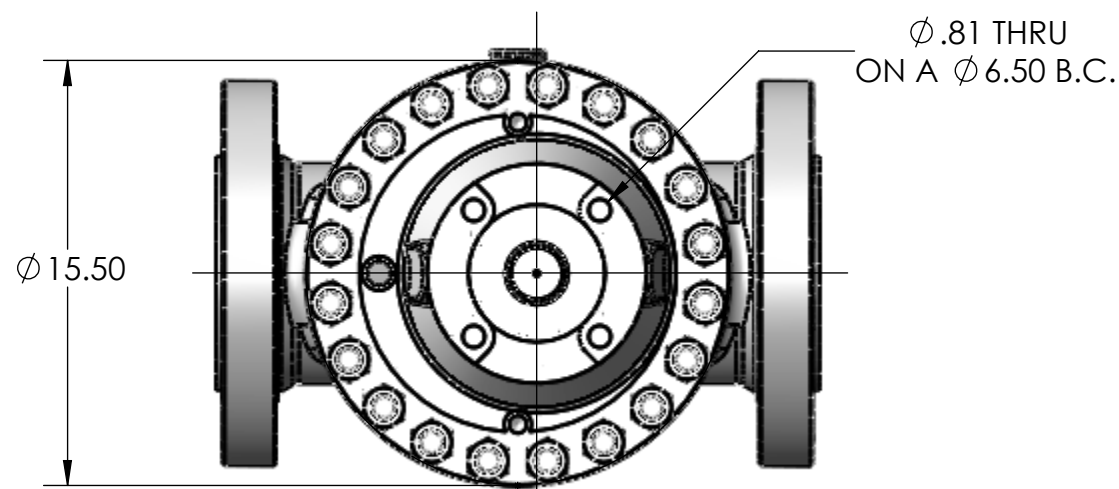
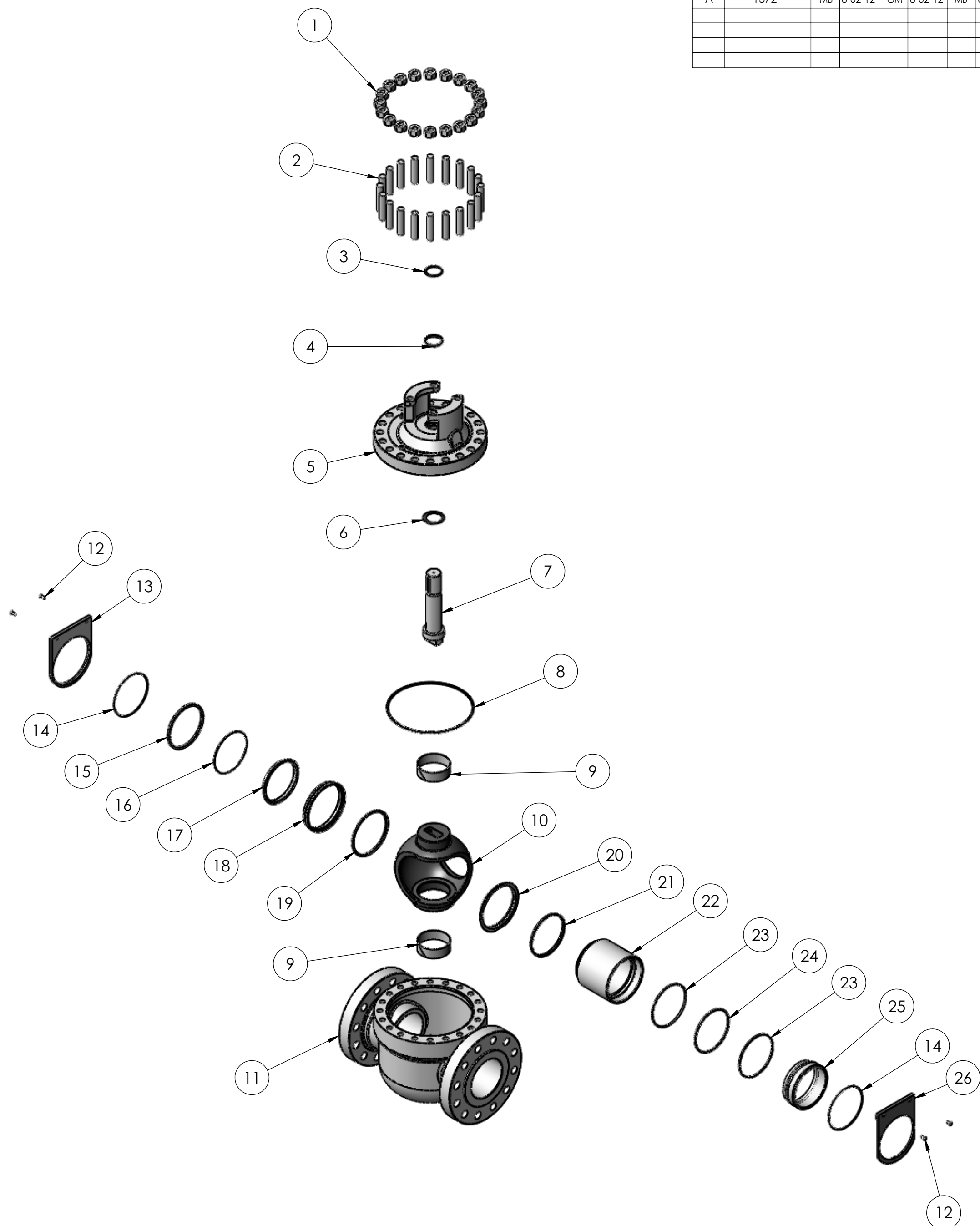


ITEM NO.	DESCRIPTION	QTY.
1	7/8-9 HEX NUT	20
2	7/8-9 DOUBLE ENDED STUD	20
3	WEATHER SEAL	1
4	O-RING	1
5	BONNET MACHINED 6 600 HWT CLSD	1
6	STEM/BONNET WASHER 6F 600 HWT	1
7	STEM, 6-600 MACHINED HWT	1
8	O-RING	1
9	TRUNION BEARING	2
10	HEMI MACHINED 6 600/900 HWT STD/DBB	1
11	BODY MACHINED RF 6F 600 HWT	1
12	SCHC SCREW	4
13	SEAT RETAINER MACHINED 6 600/900 HWT STD/DBB	1
14	O-RING	2
15	TFE SEAT REAR RING 6 600 HWT	1
16	O-RING	1
17	TFE INTERNAL SEAT 6 600 HWT	1
18	TFE EXTERNAL SEAT 6 600/900 HWT	1
19	TFE SEAT INSERT 6 600 HWT	1
20	CORE INSERT RETAINER MACHINED 6 600 HW2 DBB	1
21	CORE INSERT MACHINED 6 600 HW2 DBB	1
22	CORE FRONT MACHINED 6 600/900 HWT DBB	1
23	O-RING	2
24	CORE SPACER MACHINED 6 600/900 HWT DBB	1
25	CORE REAR MACHINED 6 600/900 HWT DBB	1
26	RETAINER CORE MACHINED 6 600/900 HWT DBB/M2M	1

REV#	ECN#	DRW	DATE	CHK	DATE	ENG	DATE
A	1372	MB	8-02-12	GM	8-02-12	MB	8-02-12



CONFIDENTIAL		NAME	DATE	HCV	
THE INFORMATION CONTAINED IN THIS DRAWING IS THE SOLE PROPERTY OF HEMIWEDGE VALVE CORPORATION, INC. ANY REPRODUCTION IN PART OR AS A WHOLE WITHOUT THE WRITTEN PERMISSION OF HEMIWEDGE VALVE CORPORATION, IS PROHIBITED.		MB	8-02-12		
DRAWN	MB	8-02-12	TITLE: 6F-4111-ATV-RF 6" 600 HWT DBB		
CHECKED	GM	8-02-12			
ENG APPR.	MB	8-02-12	THIRD ANGLE PROJECTION		
DO NOT SCALE DRAWING					
THIRD ANGLE PROJECTION			SIZE	DWG. NO.	REV
			C	A02064047	A
SCALE: NTS			WEIGHT:	SHEET 1 OF 1	