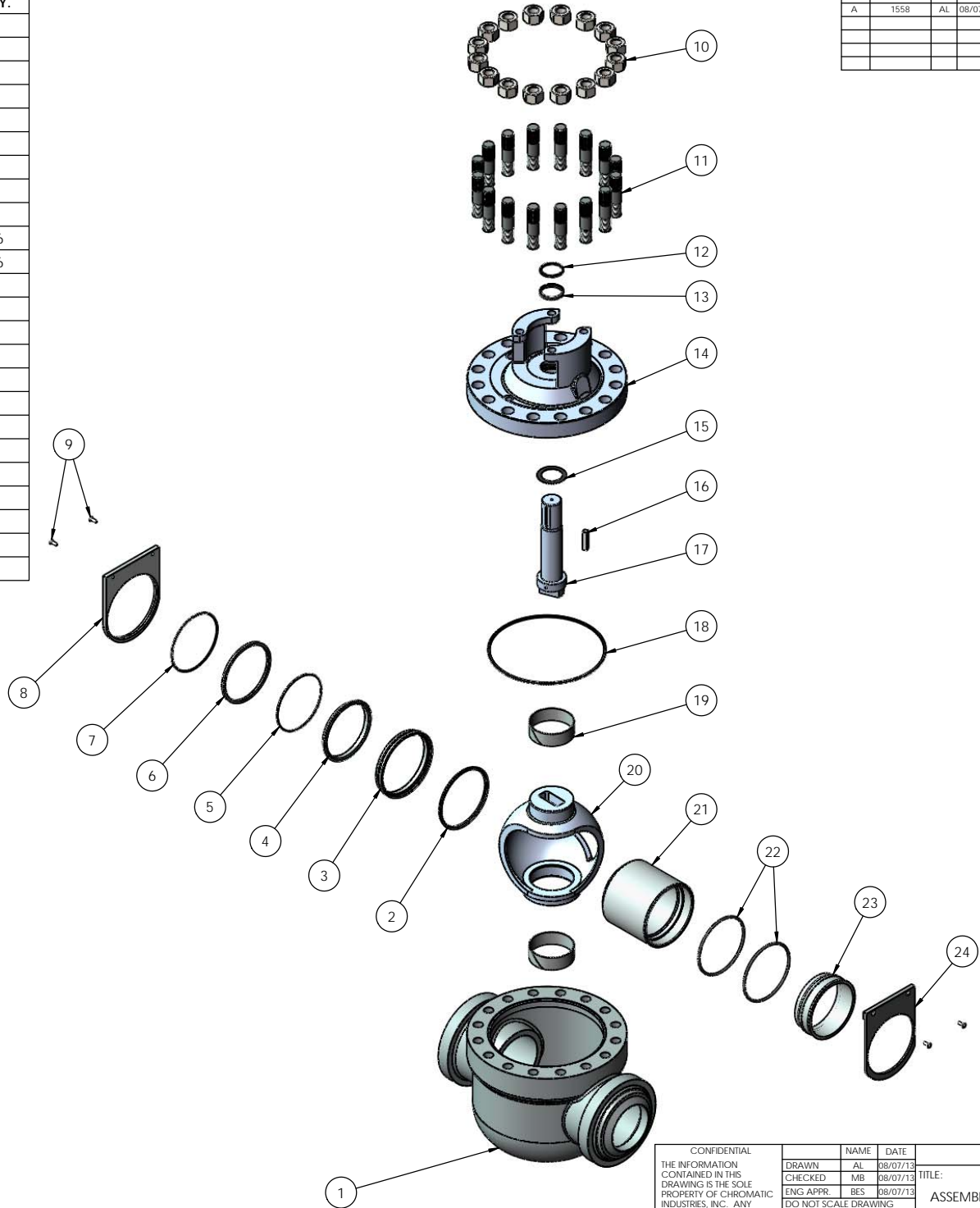
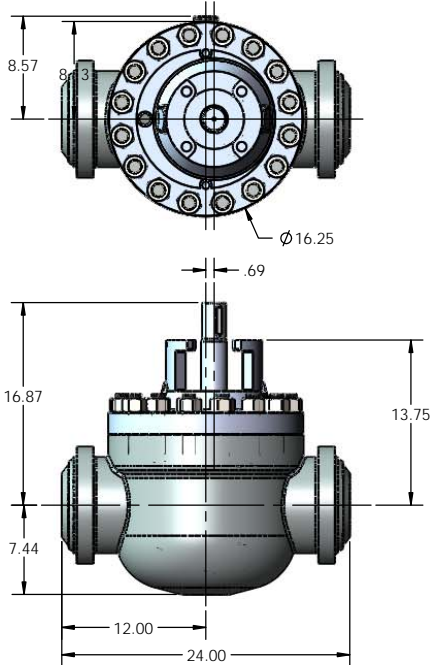


ITEM NO.	DESCRIPTION	QTY.
1	BODY MACHINED	1
2	SEAT INSERT	1
3	SEAT EXTERNAL	1
4	SEAT INTERNAL	1
5	O-RING	1
6	SEAT REAR	1
7	O-RING	1
8	SEAT RETAINER	1
9	CAP SCREW	4
10	NUT	16
11	STUD	16
12	WEATHER SEAL	1
13	O-RING	1
14	BONNET	1
15	THRUST WASHER	1
16	KEY	1
17	STEM	1
18	O-RING	1
19	BEARING	2
20	HEMI	1
21	CORE FRONT	1
22	O-RING	2
23	REAR CORE	1
24	CORE RETAINER	1

REV#	ECN#	DRW	DATE	CHK	DATE	ENG	DATE
A	1558	AL	08/07/13	MB	08/07/13	B.S.MTH	08/07/13



CONFIDENTIAL			NAME		DATE	HCV	
THE INFORMATION CONTAINED IN THIS DRAWING IS THE SOLE PROPERTY OF CHROMATIC INDUSTRIES, INC. ANY REPRODUCTION IN PART OR AS A WHOLE WITHOUT THE WRITTEN PERMISSION OF CHROMATIC INDUSTRIES, IS PROHIBITED.			DRAWN	AL	08/07/13	TITLE:	
			CHECKED	MB	08/07/13	ASSEMBLY, 6 - 900 STD HWT BW	
			ENG APPR	BES	08/07/13	DO NOT SCALE DRAWING	
			THIRD ANGLE PROJECTION				SIZE
							DWG. NO.
			SCALE: 1:8				WEIGHT: 587.2
			SHEET 1 OF 1				REV
							A